

AERFOAM

Insulated ductwork system | Bends & Fixing Parts



ubbink

Build smart.

Features & benefits

- Well-insulated
- Low pressure drop due to smooth inner surface
- Non-porous
- Airtight
- Doesn't rust
- Compact, mechanical connections (i.e. no tape or sealants required)
- Extremely light material
- Easy and safe to cut
- Pliable
- Impact resistant (i.e. no dents)
- Easy to dismantle for maintenance
- BIM-ready

Specifications

Function	Transport of air for ventilation and/or heating and/or cooling
Material bends	EPE
Material connectors and wall brackets	PP
Material wall bracket 200	Aluminium
Density	30kg/m ³
Heat transfer coefficient	0.041W/m.K (EN 12667)
Thermal resistance	R = 0.39m ² K/W
Temperature range	Min. -30°C Max. +60°C
Wall thickness	16mm
Reaction to fire bends	Class B - s2, d0 (EN 13501-1:2018)
Reaction to fire connectors and wall brackets	Class E (EN 13501)
Airtightness	D (EN 12237) = ATC 2 (EN 16798)
Colour	Grey



Bend 15°



Bend 30°



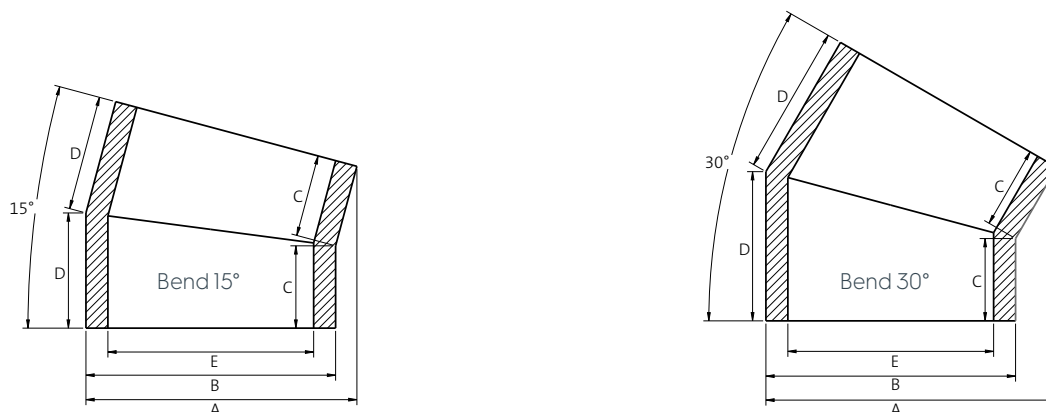
Bend 45°



Bend 90°



Technical details

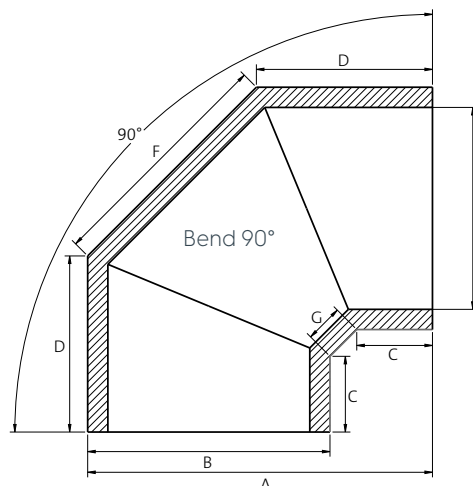
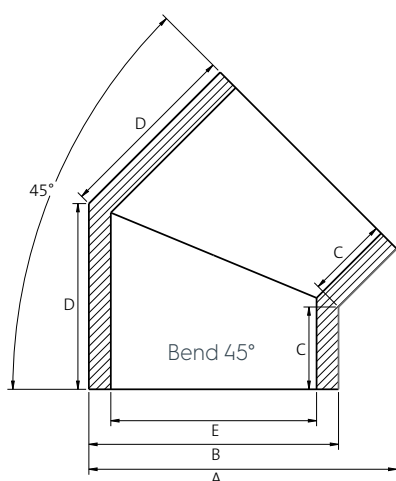


Bend 15°					
	125	150	160	180	200
A [mm]	-	198	n/a	229	-
B [mm]	-	182	n/a	212	-
C [mm]	-	60	n/a	65	-
D [mm]	-	84	n/a	93	-
E [mm]	-	150	n/a	180	-
Zeta [-]	-	0,20	n/a	0,17	-
Qv (Volume) [m³/h]	Δp (Pressure loss) [Pa]				
100	-	1,0	n/a	1,0	-
200	-	1,2	n/a	1,0	-
300	-	2,7	n/a	1,1	-
400	-	4,7	n/a	1,9	-
500	-	7,4	n/a	3,0	-

Bend 30°					
	125	150	160	180	200
A [mm]	-	212	n/a	245	-
B [mm]	-	182	n/a	212	-
C [mm]	-	60	n/a	69	-
D [mm]	-	109	n/a	122	-
E [mm]	-	150	n/a	180	-
Zeta [-]	-	0,33	n/a	0,22	-
Qv (Volume) [m³/h]	Δp (Pressure loss) [Pa]				
100	-	1,0	n/a	1,0	-
200	-	2,0	n/a	1,0	-
300	-	4,4	n/a	1,4	-
400	-	7,9	n/a	2,5	-
500	-	12,3	n/a	3,9	-



Technical details



Bend 45°					
	125	150	160	180	200
A [mm]	199	224	235	258	278
B [mm]	157	182	192	212	232
C [mm]	60	60	60	65	65
D [mm]	125	135	137	153	161
E [mm]	125	150	160	180	200
Zeta [-]	0,53	0,49	0,46	0,40	0,28
Qv (Volume) [m³/h]	Δp (Pressure loss) [Pa]				
100	1,6	1,0	1,0	1,0	0,1
200	6,5	2,9	2,1	1,1	0,5
300	14,7	6,5	4,7	2,6	1,2
400	26,1	11,6	8,5	4,6	2,1
500	40,7	18,2	13,3	7,1	3,2

Bend 90°					
	125	150	160	180	200
A [mm]	238	263	274	298	318
B [mm]	157	182	192	212	232
C [mm]	60	60	60	65	65
D [mm]	125	135	140	153	161
E [mm]	125	150	160	180	200
F [mm]	159	181	189	206	222
G [mm]	30	30	30	30	30
Zeta [-]	0,88	0,85	0,85	0,84	0,52
Qv (Volume) [m³/h]	Δp (Pressure loss) [Pa]				
100	2,7	1,3	1,0	1,0	0,2
200	10,8	5,0	3,9	2,4	1,0
300	24,3	11,3	8,8	5,4	2,2
400	43,3	20,2	15,6	9,6	3,8
500	67,6	31,5	24,3	15,0	6,0



Coupling piece & Mounting bracket

Coupling piece					
	125	150	160	180	200
A [mm]	100	100	100	120	120
B [mm]	45	45	45	45	45
C [mm]	48	48	48	48	48
D [mm]	15	15	15	15	15
E [mm]	125	150	160	180	200

Mounting bracket					
	125	150	160	180	200
A [mm]	45	45	45	45	23
B [mm]	50	50	50	50	200
C [mm]	30	30	30	30	248
D [mm]	25	25	25	25	225
E [mm]	M8	M8	M8	M8	M8
F [mm]	Ø 4,5	Ø 4,5	Ø 4,5	Ø 4,5	-



Coupling piece



Mounting bracket (125-180mm)



Mounting bracket (200mm)

